

POWERREX KOREA SL2750HM / SL2750HM-R Two Post Vehicle Hoist



- 100% Korean manufactured
- Auto locking lift with a single sided mechanical lever to unlock and lower the lift.
- Ultra low arm design with 80mm 4 x 4 adapters or 6 stage ratchet up height adjustable & screw up lifting feet.
- High 3850mm and a low 3600mm setting for the top cross bar
- Suitable for 4x4's, vans, low cars, American cars, utes etc.
- Safety shutoff bar across top of hoist
- Rubber door protection pads
- Meets Australia/NZ safety regulations and European CE Safety Certified
- Optional base plate extensions for concrete between 100-150mm



- The **SL-2750HM** featuring three stage telescoping front arms, 2 stage rear arms, double screw up feet with 80mm 4x4 height extensions.
- The **SL-2750HM-R** has 2 stage front and rear arms with 6 stage ratchet up height adjustable & screw up lifting feet.

| SPECIFICATIONS | |
|--------------------------------|----------------------|
| Capacity | 4500kg |
| Max height (incl 4x4 adapters) | 1 9000 mm |
| Min height (std arm) | 9 mm |
| Lifting time (approx) - 3PH | 35-45sec |
| Weight | 700kg |
| Power supply | 230V or 380V |
| Warranty | 2 Years |

POWERREX KOREA SL2950H / SL2950HR Two Post Vehicle Hoist



**OPTIONAL 1 METRE
HEIGHT EXTENSION KIT**

- 100% Korean manufactured
- Automatically activating electrical locking lift with a four button control box featuring Up, Lock, Lower & Direct Down buttons plus remote control.
- Ultra low arm design with 80mm 4 x 4 adapters or 6 stage ratchet up height adjustable & screw up lifting feet.
- High 3850mm and a low 3600mm setting for the top cross bar
- Suitable for 4x4's, vans, low cars, American cars, utes etc.
- Safety shutoff bar across top of hoist
- Rubber door protection pads
- Meets Australia/NZ safety regulations and European CE Safety Certified
- Optional base plate extensions for concrete between 100-150mm



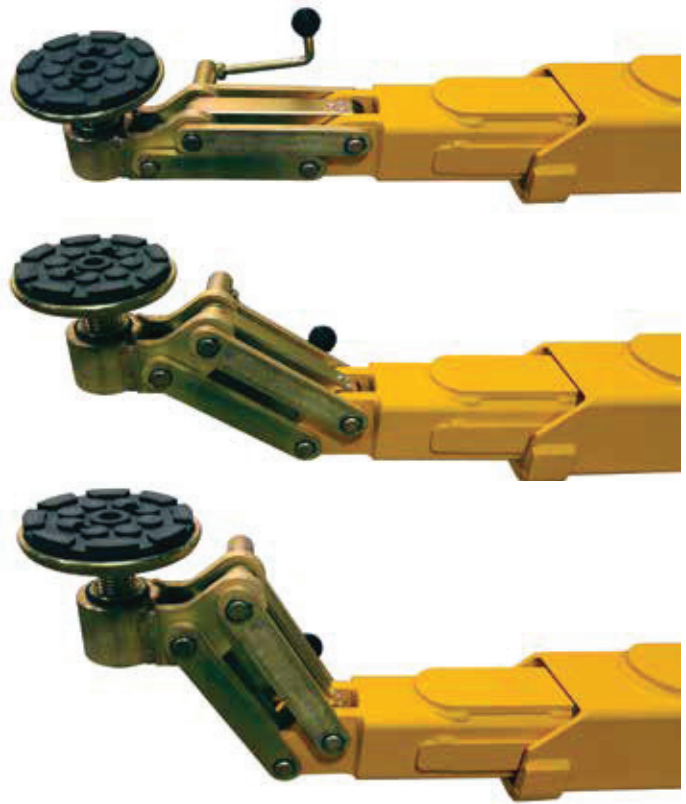
| SPECIFICATIONS | |
|--|----------------------|
| Capacity | 4500kg |
| Max height XXXXXXXXXXXXXXXXXXXXXXXXXXXX | 1 9000 mm |
| Min height std arm | 9 mm |
| Lifting time (approx) - 3PH | 35-45sec |
| Weight | 700kg |
| Power supply | 230/380V |
| Warranty | 2 Years |

- The **SL-2950HM** featuring three stage telescoping front arms, 2 stage rear arms, double screw up feet with 80mm 4x4 height extensions.
- The **SL-2950HM-R** has 2 stage front and rear arms with 6 stage ratchet up height adjustable & screw up lifting feet.

**IMAGE SHOWS
SL-2950H-R**

THE CONCRETE MUST:

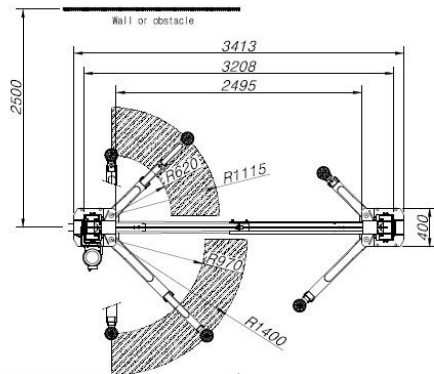
- Have a minimum thickness of 150mm
- Be reinforced
- Be a grade of no less than 25MPA



RATCHET ARM

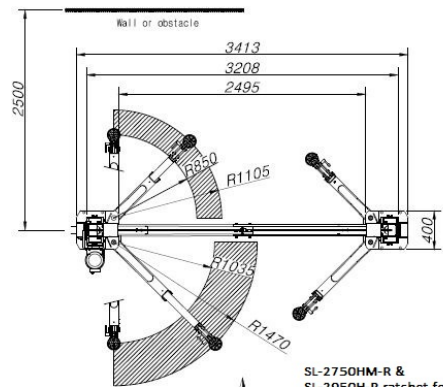


LOW ARM DESIGN SUPPLIED WITH 80MM 4X4 EXTENSIONS



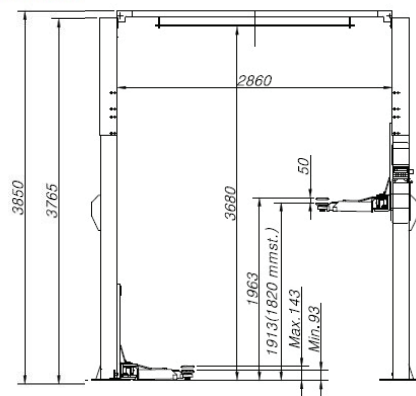
SL-2750HM & SL-2950H
Standard feet -
Not including 4x

DRIVE IN DIRECTION

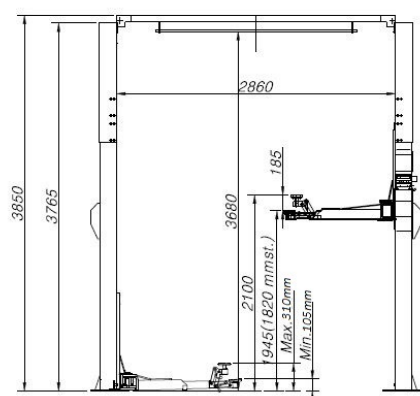


SL-2750HM-R & SL-2950H-R ratchet feet

DRIVE IN DIRECTION



SL-2750HM & SL-2950H- LOW ARM DESIGN



SL-2750HM-R & SL-2950HR - RATCHET ARM